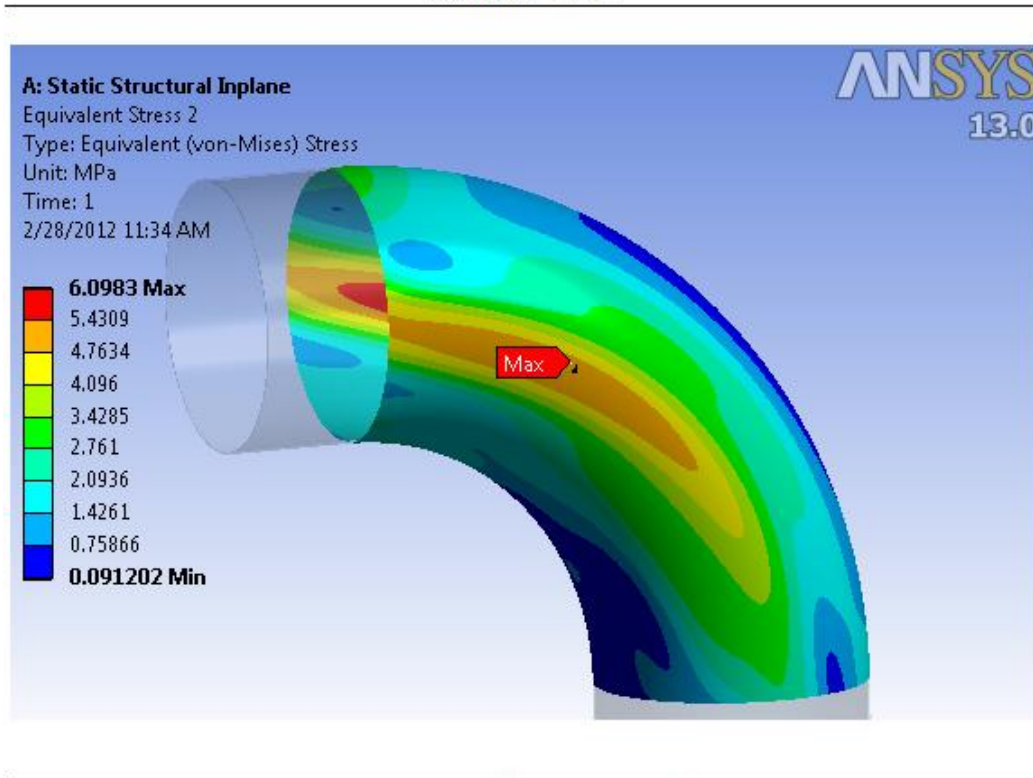


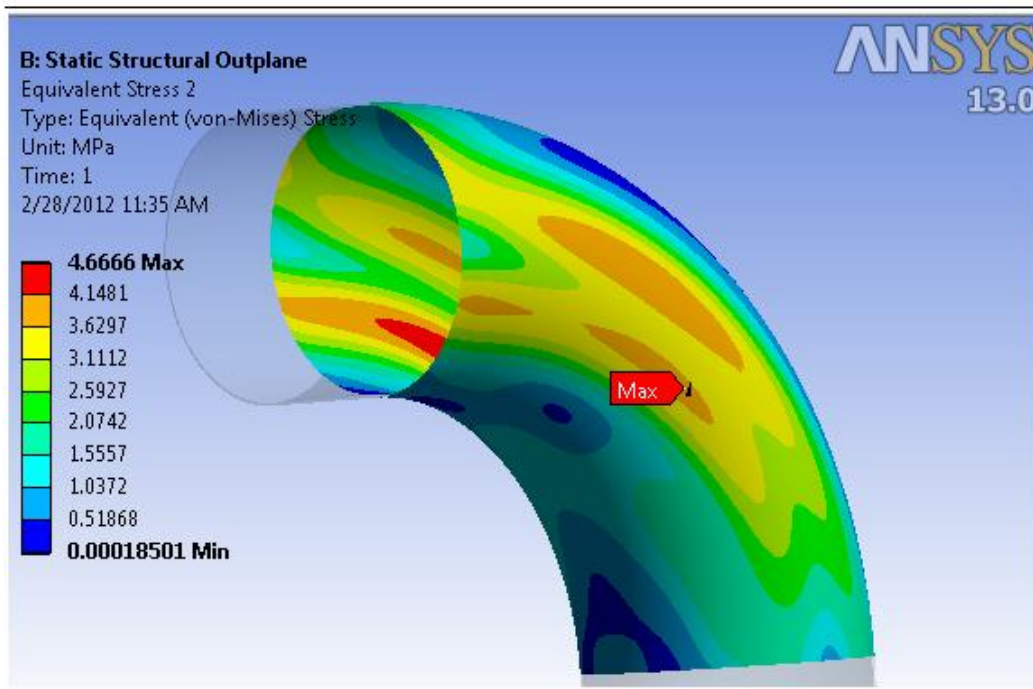
84" NB- 90° Elbow

SIF for input to CEASER II

84" NB 90° Elbow



SIF (i) = 5.05

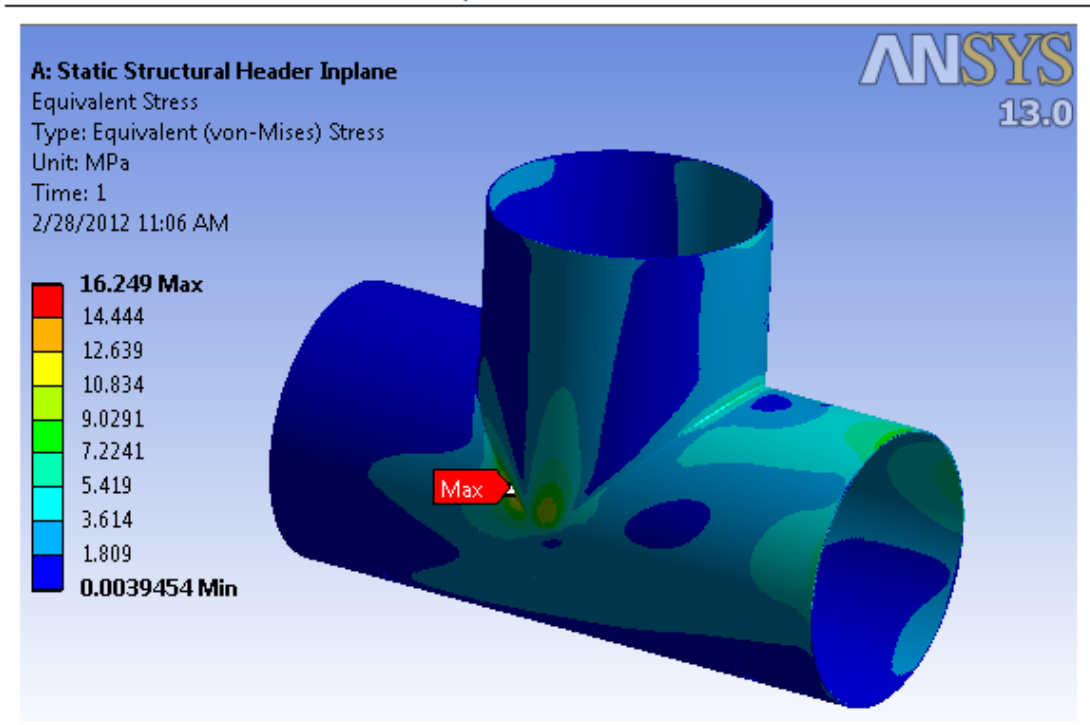


SIF (o) = 3.87

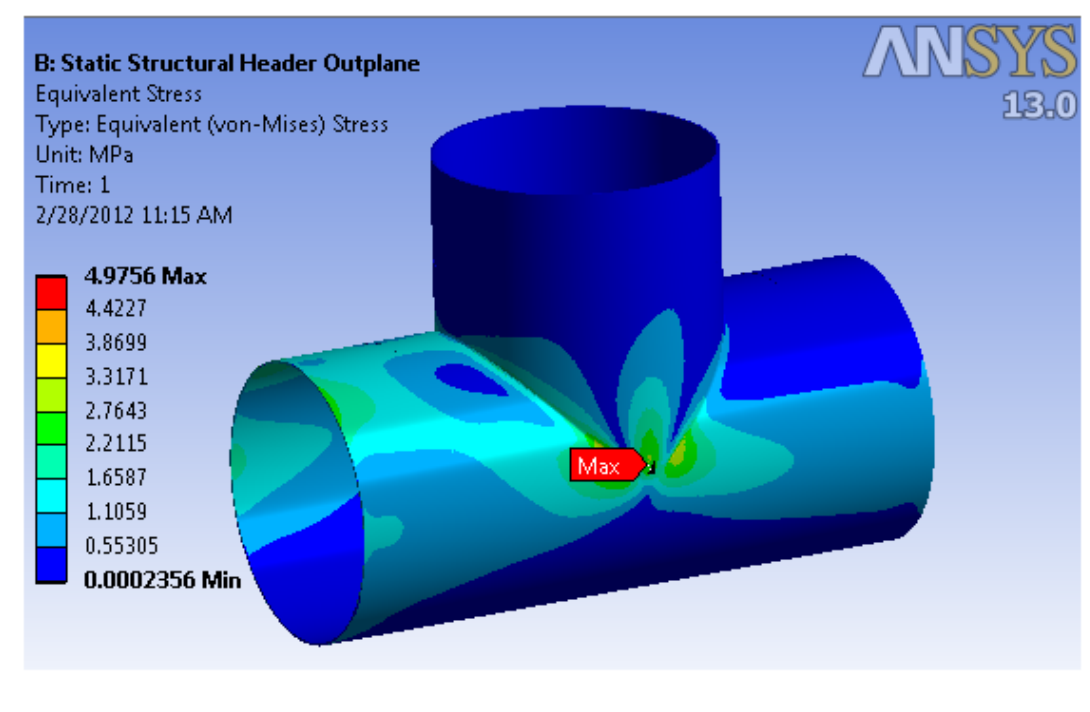
84" NB- Equal Tee without R/F Pad

SIF for input to CEASER II

84" NB Equal Tee without R/F Pad



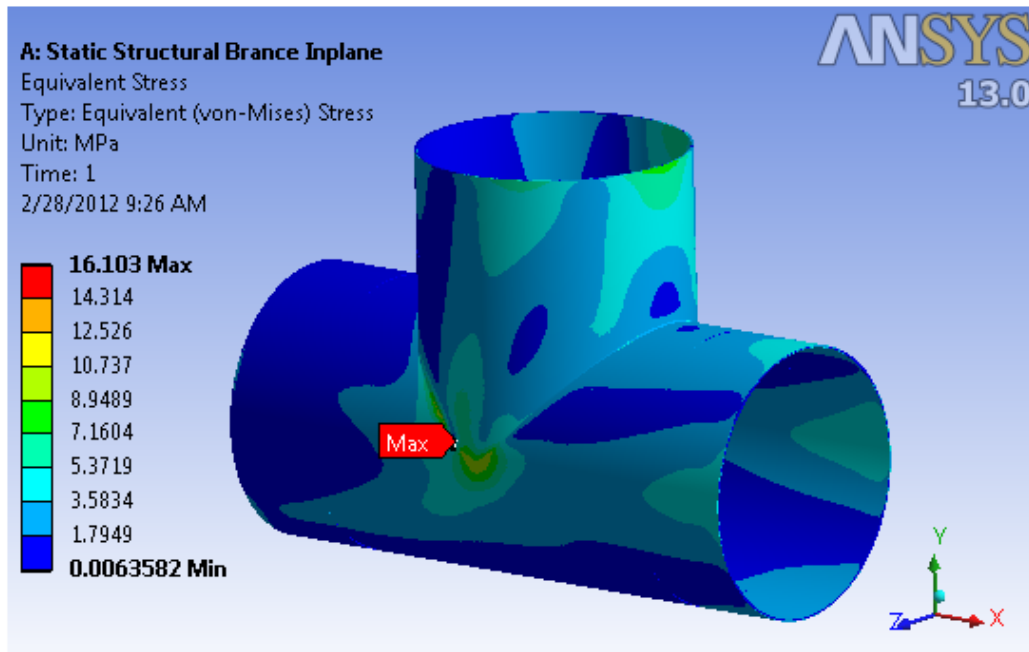
Header SIF (i) =	13.47
------------------	-------



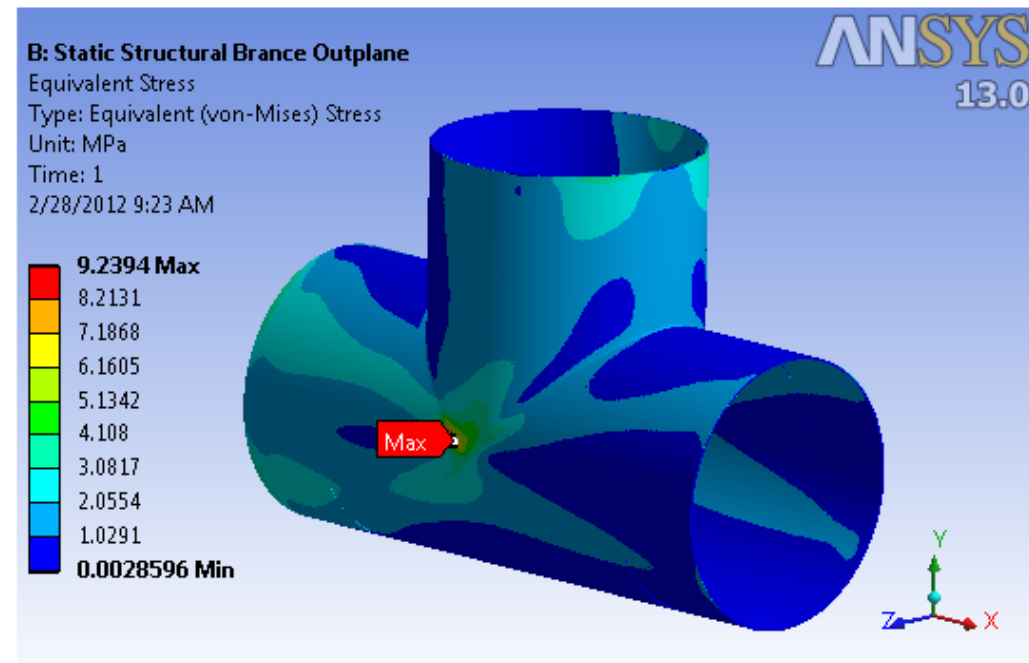
Header SIF (o) =	4.12
------------------	------

SIF for input to CEASER II

84" NB Equal Tee without R/F Pad



Branch SIF (i) =	13.35
------------------	-------



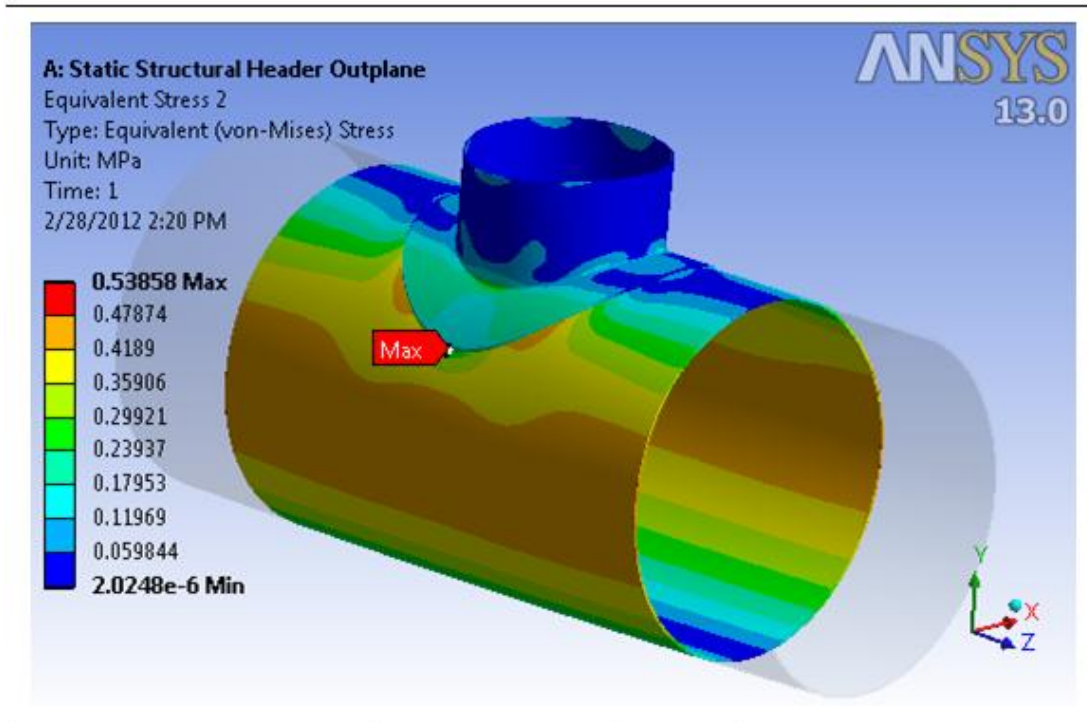
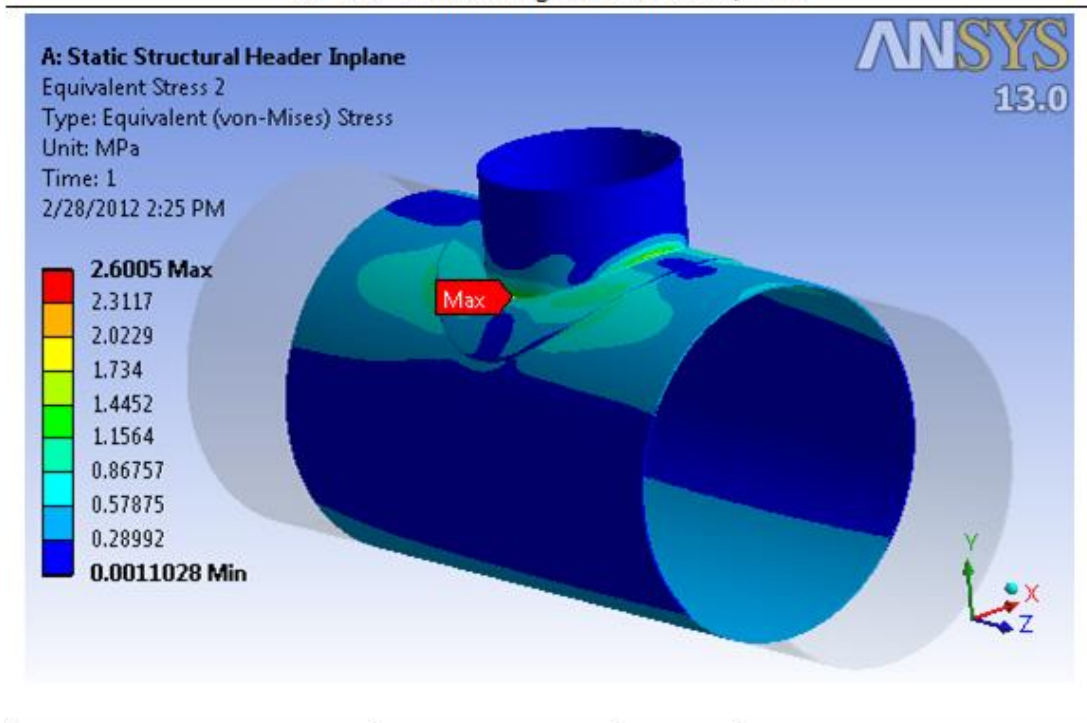
Branch SIF (o) =	7.66
------------------	------



96" x 54" NB - Reducing Tee with 1.5D R/F Pad

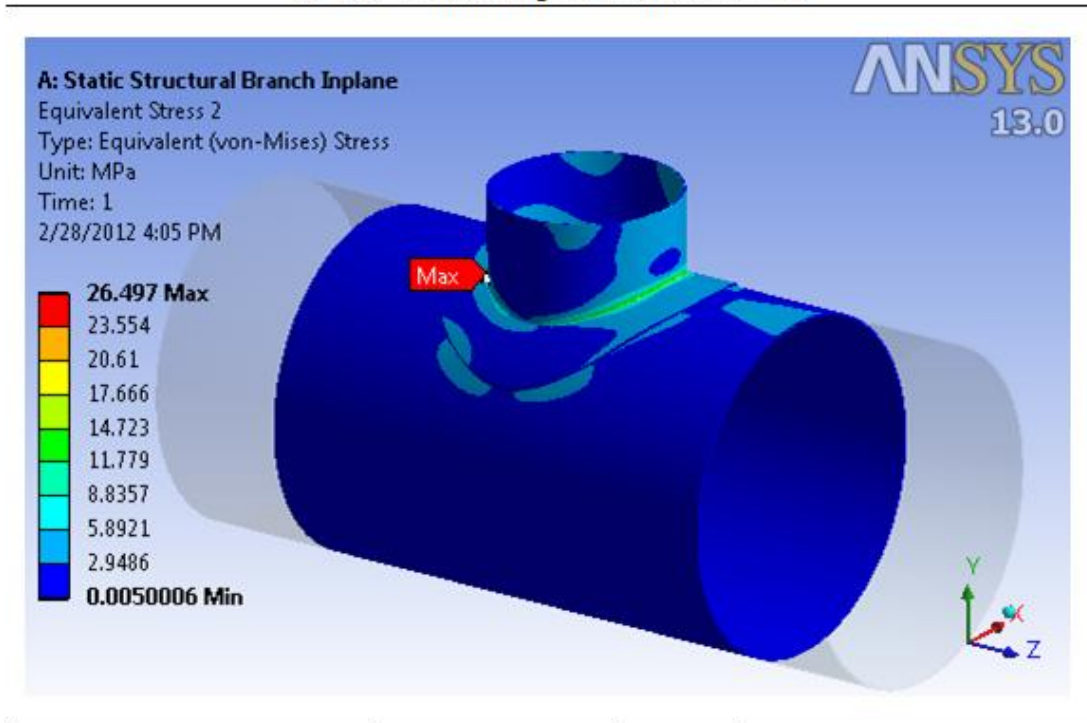
SIF for input to CEASER II

96" x 54" NB Reducing Tee with 1.5D R/F Pad

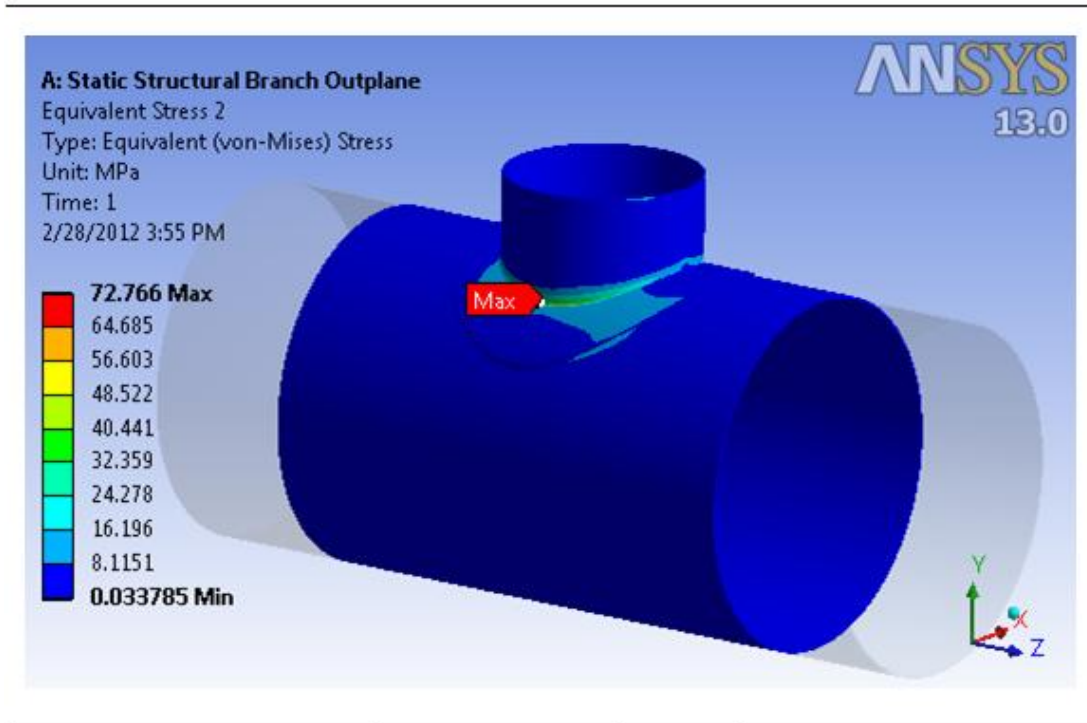


SIF for input to CEASER II

96" x 54" NB Reducing Tee with 1.5D R/F Pad



Branch SIF (i) =	6.64
------------------	------



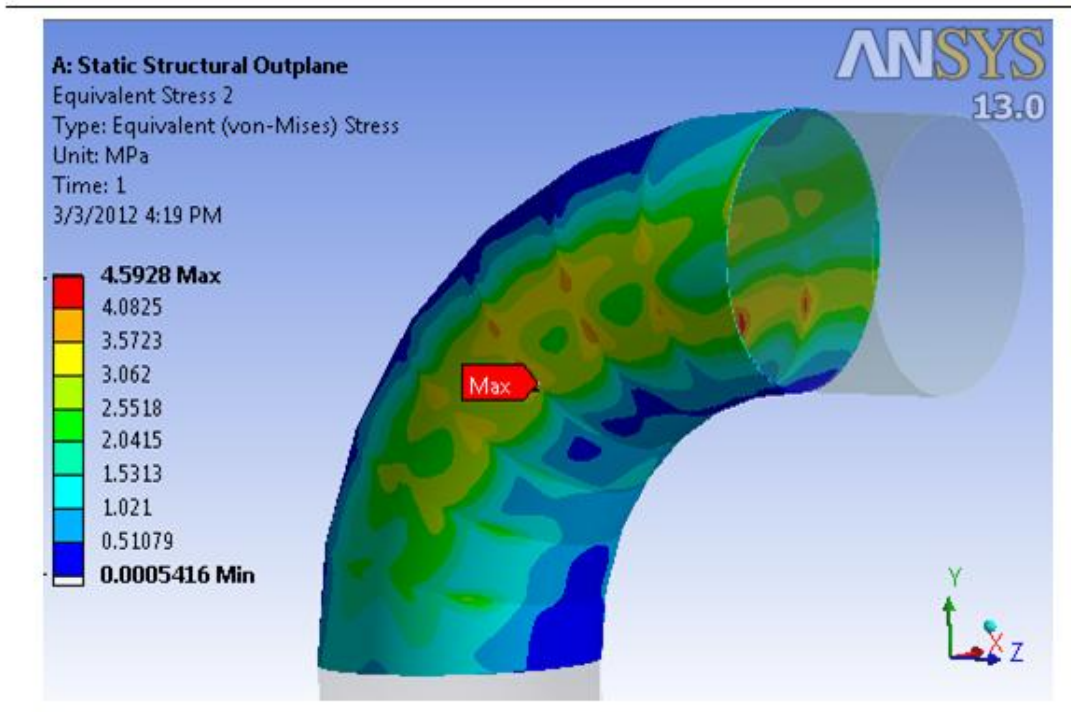
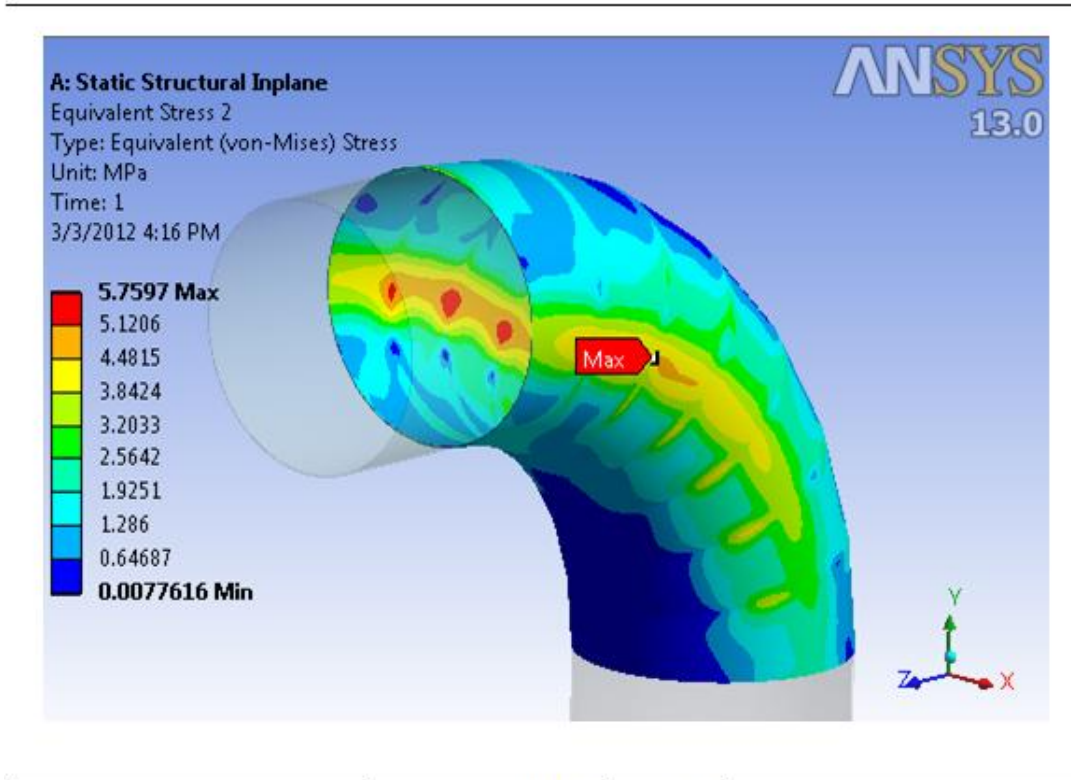
Branch SIF (o) =	18.25
------------------	-------



96" NB - 90° Miter Bend

SIF for input to CEASER II

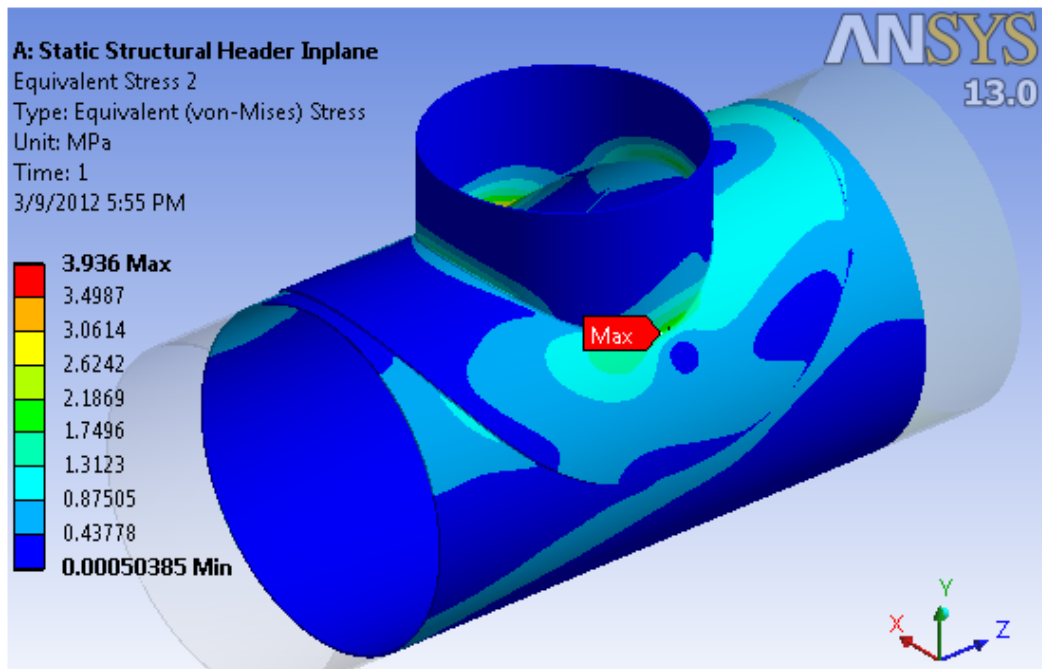
96" NB 90° Miter Bend



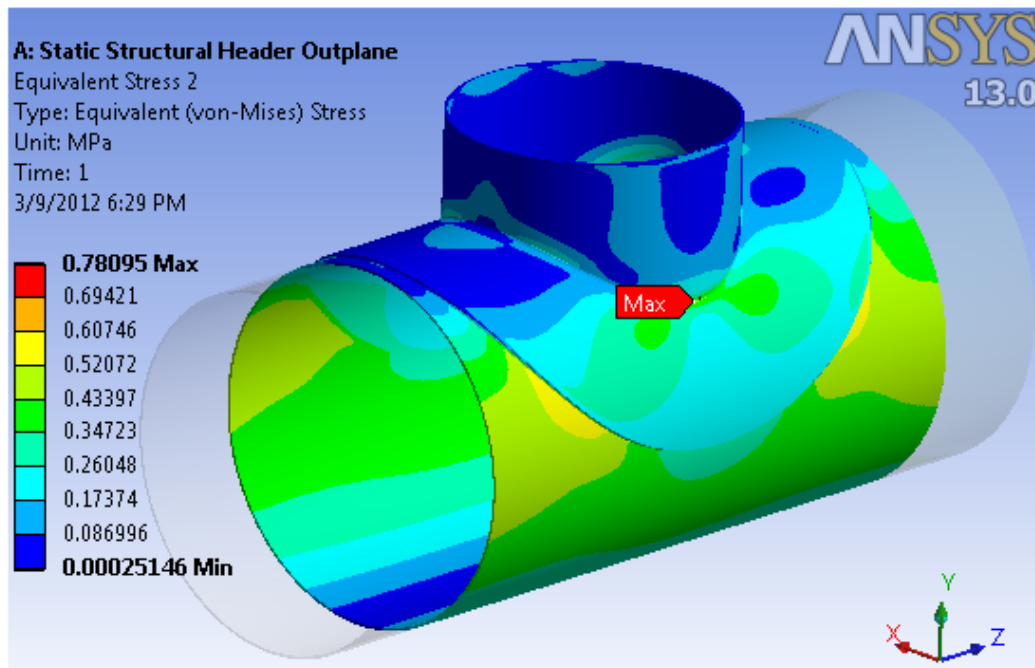
96" x 76" NB - Reducing Tee with 2D R/F Pad

SIF for input to CEASER II

96" x 76" NB Reducing Tee with 2D R/F Pad



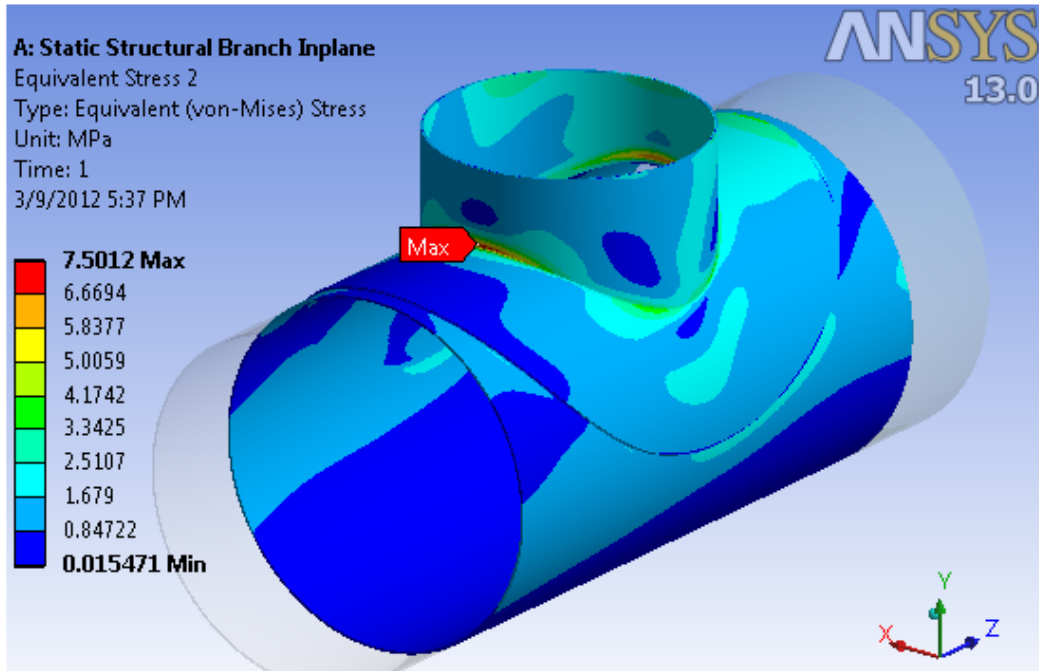
Header SIF (i) = 4.28



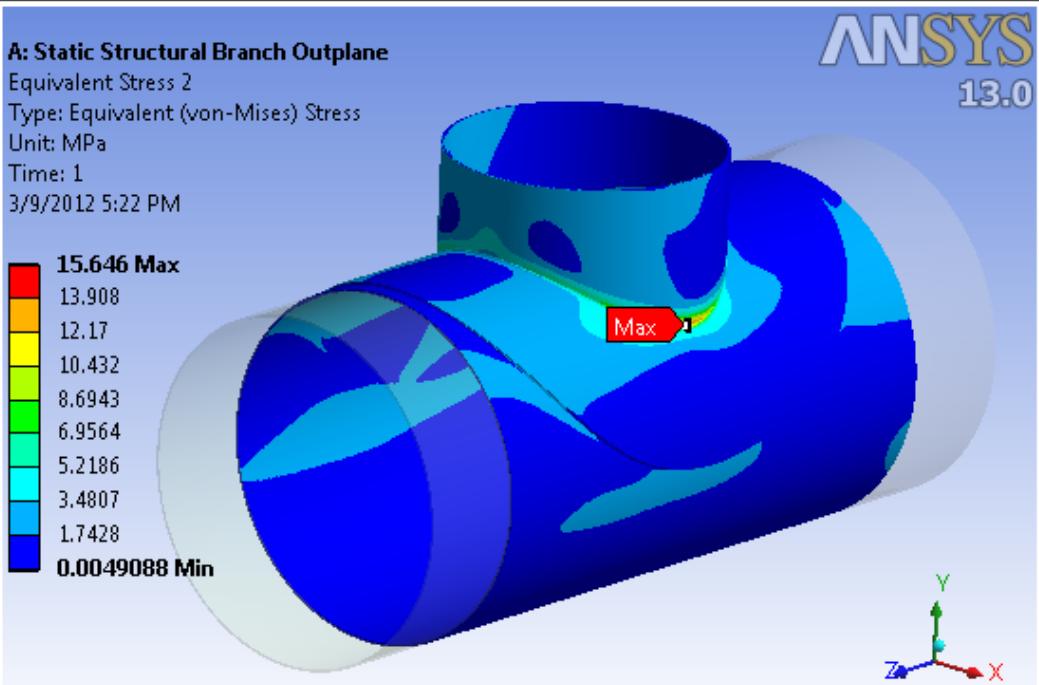
Header SIF (o) = 0.85

SIF for input to CEASER II

96" x 76" NB Reducing Tee with 2D R/F Pad



Branch SIF (i) =	5.32
------------------	------



Branch SIF (o) =	11.10
------------------	-------